

425-5212/4143



# UNIVERSAL FLOOR MOUNT Computer Mount

### A-MOD Desktop

Rotates 360° with ergonomic platform tilt. "One Hand" operation for removing and securing computer. Height and width adjustments allow for securing the majority of laptop computers. XL model available for larger laptops (450-4144).

### Articulated Swing Arm

Rotates 360° around stand and extends 13 3/8". Ratchet Handles secure swing arm in position at elbow and stand.

### Telescoping Rod

Extends desktop height. Travels inside of stand.

### Ratchet Handles

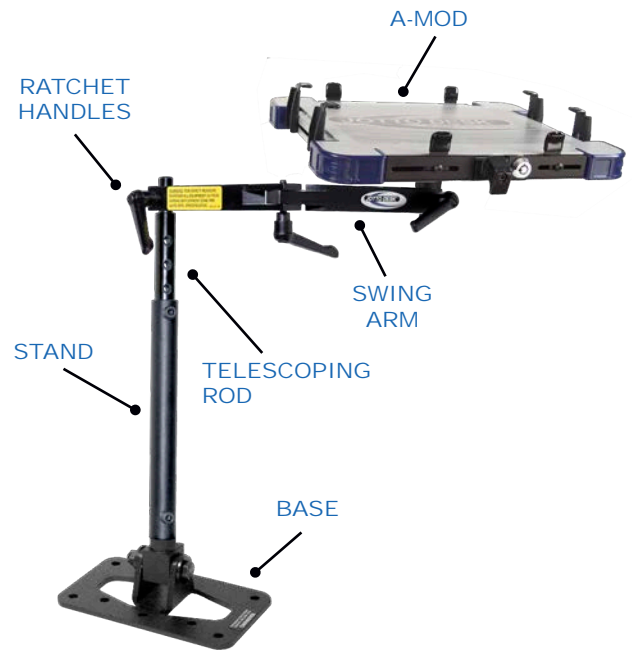
Secures swing arm positioning and allows for 360° swing arm rotation.

### Stand

Stand attaches to base and houses Telescoping Rod.

### One Piece Mounting Base

3/16" gauge steel, one-piece base design increases overall sturdiness and frees up leg room.



### 450-4143 A-MOD DESKTOP

- A. Side Clamps, Standard or Tall (Case Hardened Steel)
- B. Front Tabs (Case Hardened Steel)
- C. Rear Tabs and Offset Rear Tabs (Case Hardened Steel)
- D. Tubular Lock - Solid Brass/High Security
- E. Side Trays
- F. Rear Tray
- G. Latch Release Handle

## DETAILS

- A-MOD Desktop:** 13.5" W x 10.75" D x 1" H
- Swing Arm:** 1" square x 13-3/8" solid aluminum; black anodized
- Telescoping Rod:** 7/8" x 10" steel with 5/8" turned swing arm rest
- Stand:** 1" x 10" 11 gauge steel, black; round stock
- Height Variation:** 16.25" to 21.75"
- Base Mount:** 3/16" gauge master, one-piece base with tapped 7/8" mounting post

## ORDER

**Computer Mount Model:** 425-5212/4143 (A-MOD)

**Base Only:** 425-1021



209 W. EASY ST., ROGERS, AR 72756 • www.EVERYTHINGBUTLIGHTS.com • 12/18

Jotto Desk® is a patented product and Registered Trademark of Assembled Products™ Corporation. Specifications subject to change without notice.