

425-5274/5215



UNIVERSAL FLOOR MOUNT Computer Mount - No Holes

ABS Cable Dock® Desktop

Rotates 360° with ergonomic platform tilt. Two (2) nylon coated stainless steel cables secure notebook computer to desk. "One Hand" operation for removing and securing computer. Six (6) foam pads lift the computer off of the desktop providing shock absorption and air flow under computer.

Articulated Swing Arm

Rotates 360° around stand and extends 13 3/8". Ratchet Handles secure swing arm in position at elbow and stand.

Telescoping Rod and Stand Assembly

Extends desktop height. Travels inside of stand.

Ratchet Handles

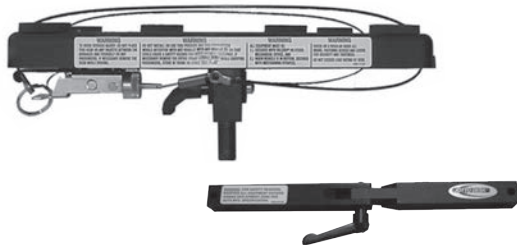
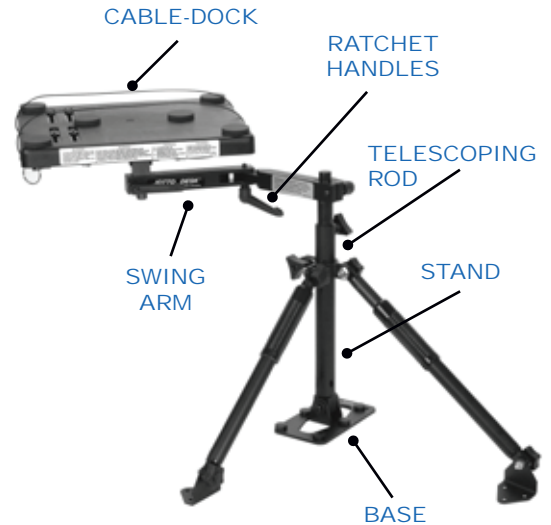
Secures swing arm positioning and allows for 360° swing arm rotation.

One Piece Mounting Base

3/16" gauge steel, one-piece base design increases overall sturdiness and frees up leg room.

Telescoping Tripod Support

Two Brace Kits attached to the stand provide additional support. Both braces can be mounted to varying flat, vertical or angled surfaces.



WHY THE CABLE-DOCK® DESKTOP?

The Cable-Dock is a patented, truly innovative and proven method for effectively securing a laptop computer for mobile professionals. We believe the Cable-Dock is the best way to secure a laptop because:

- We provide shock absorbing pads while others don't.
- We allow air to circulate underneath the laptops while others don't.
- We embrace and conform to the whole body of the laptop rather than just contain the edges and sides as others do. Why? All laptops are not equal in shape.
- We have built-in back-up for keeping the laptop secure in case cable latch release is accidentally opened while others don't.
- We mount all sizes of laptops while others can't.
- We are lightweight at 3.4 lbs with two adjustments for set-u while others weigh 9-10 lbs. with 7-10 adjustments.

DETAILS

Cable-Dock Desktop:	10" x 12" x 1" ABS plastic desktop with 1/4" thick wall; 22" Cables, 6" square 11 gauge steel mounting plate; 5/8" Aluminum post connector
Swing Arm:	1" square x 13-3/8" solid aluminum; black anodized
Telescoping Rod:	7/8" x 10" steel with 5/8" turned swing arm rest
Stand:	1" x 10" 11 gauge steel, black; round stock
Height Variation:	16.75" to 21.75"
Base Mount:	3/16" gauge master, one-piece base with tapped 7/8" mounting post; two adjustable (13"-21") Support Braces with 2" 11 gauge Brace Feet

ORDER

Computer Mount Model: 425-5274/5215 **Base Only:** 425-1021



209 W. EASY ST., ROGERS, AR 72756 • www.EVERYTHINGBUTLIGHTS.com • 3/19

Jotto Desk® is a patented product and Registered Trademark of Assembled Products™ Corporation.
Specifications subject to change without notice.