



# FLOOR MOUNT

## UNIVERSAL

Specification Sheet

425-5274/5215

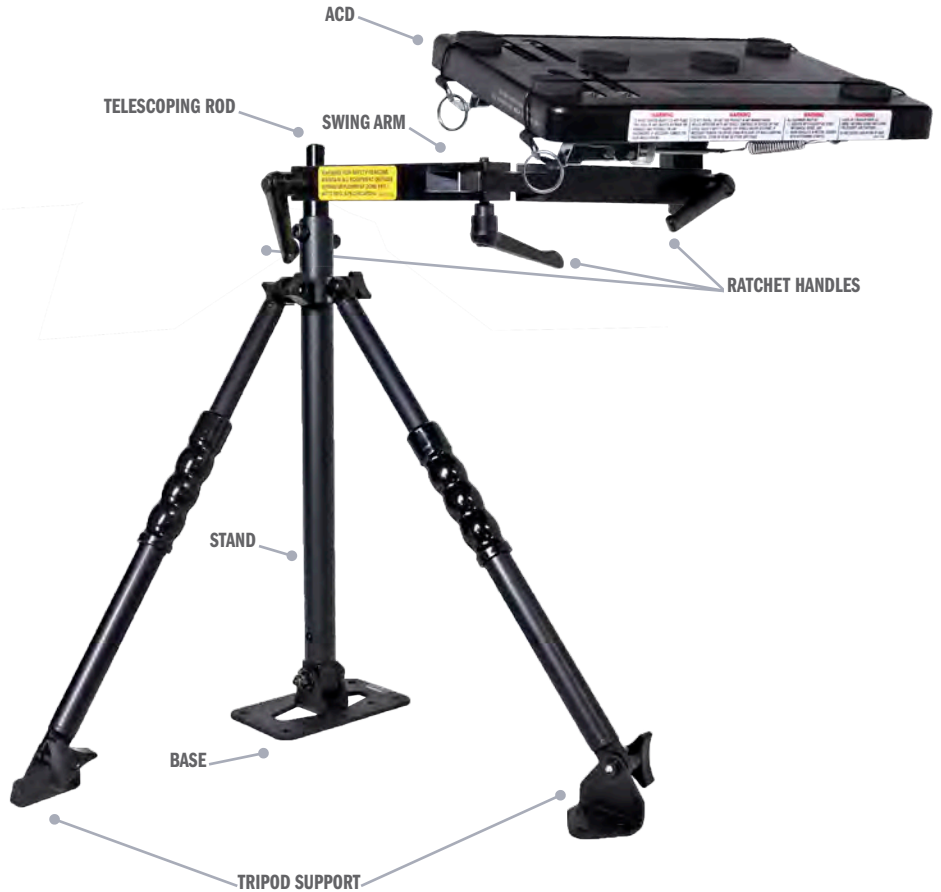
### DETAILED INFORMATION

#### No Holes Mount

- Height Variation** ..... 16 3/4" - 21 3/4"
- Swing Arm** ..... 1" square x 13-3/8"  
· Solid Aluminum, Black Anodized
- Telescoping Rod** ..... 7/8" x 10"  
· Steel · 5/8" turned swing arm rest
- Stand** ..... 1" x 20"  
· 11 Gauge Steel, Black · Round Stock
- Base** ..... 3/16" Gauge Master  
· One-piece Base · Tapped 7/8" Mounting Post  
· Two (2) Adjustable (13"-21") Support Braces  
· 2" 11 Gauge Brace Feet

#### ACD (ABS Cable-Dock™ Desktop)

- Length** ..... 12"
- Width** ..... 10"
- Height** ..... 1"  
· ABS Plastic · 1/4" Wall Thickness · 22" Cables  
· 6" Square 11 Gauge Steel Mounting Plate  
· 5/8" Aluminum Post Connector



### WHY THE CABLE-DOCK™ DESKTOP?

The Cable-Dock™ is a patented, truly innovative and proven method for effectively securing a laptop computer in a mobile environment.

- We provide shock absorbing pads while others don't.
- We allow air to circulate underneath the laptops while others don't.
- We embrace and conform to the whole body of the laptop rather than just contain the edges and sides as others do. Why? All laptops are not equal in shape.
- We have built-in back-up for keeping the laptop secure in case cable latch release is accidentally opened while others don't.
- We mount all sizes of laptops while others can't.
- We are lightweight at 3.4 lbs with two adjustments for set-u while others weigh 9-10 lbs. with 7-10 adjustments.

### HOW TO ORDER

#### Computer Mount Package

425-5274/5215

Includes: Desktop, Swing Arm, Telescoping Rod, Stand, Base, and Hardware

#### Base

425-1021

#### ABS Cable Dock™ Desktop

Rotates 360° with ergonomic platform tilt. Two (2) nylon coated stainless steel cables secure notebook computer to desk. "One Hand" operation for removing and securing computer. Six (6) foam pads lift the computer off of the desktop providing shock absorption and air flow under computer.

#### Articulated Swing Arm

Rotates 360° around stand and extends 13 3/8". Ratchet Handles secure swing arm in position at elbow and stand.

#### Telescoping Rod and Stand Assembly

Extends desktop height. Travels inside of stand.

#### Ratchet Handles

Secures swing arm positioning and allows for 360° swing arm rotation.

#### One Piece Mounting Base

3/16" gauge steel, one-piece base design increases overall sturdiness and frees up leg room.

#### Telescoping Tripod Support

Two Brace Kits attached to the stand provide additional support. Both braces can be mounted to varying flat, vertical, or angled surfaces.



209 W. EASY ST., ROGERS, AR 72756 • JOTTOPUBLICSAFETY.COM • 9/24

Jotto Desk™ is a patented product and Registered Trademark of Assembled Products™ Corporation. Specifications subject to change without notice.

